

RX 604 PLUS

Bakery oven



Ref. 710531



TECHNICAL CHARACTERISTICS

Electric power 6300 W

Max temperature 250 °C

Weight 55 kg

Voltage 400 V-50/60 Hz

Connection Three Phase 3F+N+T

Internal dimensions (W)680x(D)470x(H)365 mm

External dimensions (W)820x(D)800x(H)560 mm

Humidifier (ref. 710532) **optional**

Change to single phase **optional**

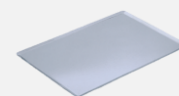
FUNCTIONS - FEATURES

- End of cycle alarm
- Safety thermostat
- 0-60 Minute timer
- Non-stop mode
- Interior light
- Door Switch
- Rotation inverter
- Standard equipment 4 wire trays

CAPACITY

4 trays 480x340

4 trays GN 1/1



RX 604 PLUS

Specific accessories



RX 60/40 Stand

Ref. 710549



(W)810x(D)700x(H)850 mm

RX GN1/1 Stand

Ref. 710550



(W)810x(D)700x(H)850 mm

Wheels

Ref. 710286



Wheeled option

Fumes condenser kit

RX SERIES

Ref. 710551

(W)170x(D)70x(H)400 mm

RX H2O SERIES

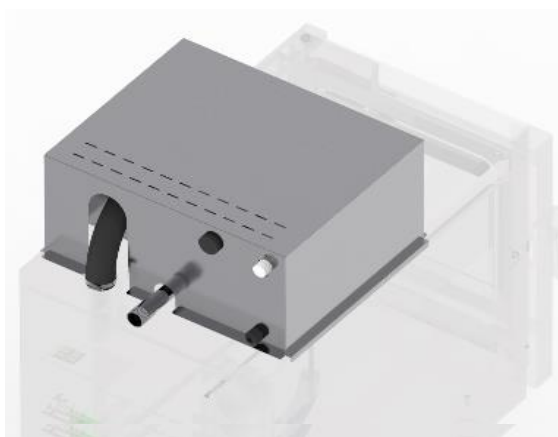
Ref. 710552

(W)720x(D)85x(H)450 mm

RX DUO SERIES

Ref. 710553

(W)580x(D)120x(H)180 mm



RX 60/40 Superposition kit

Ref. 710556



(W)820x(D)800x(H)40 mm

RX 604 PLUS



DECLARACIÓN UE DE CONFORMIDAD EU DECLARATION OF CONFORMITY

Directiva(s) del Consejo con la(s) que se declara conformidad:

Council Directive(s) to which conformity is declared:

DC 2014/35/EU + DC 2014/30/EU + DC 2011/65/EU

Aplicación de las Normas:

Application of the Standards:

UNE-EN 60335-1:2012 + AC:2014 + A11:2014 + A13:2017 + A14:2014 +A2:2020 + A1:2020; UNE-EN 60335-2-42:2004 + Corr:2007 + A1:2008 + A11:2012; UNE-EN 55014-1:2017 + A11:2021; UNE-EN 55014-2:2015; UNE-EN 61000-3-2:2014; UNE-EN 61000-3-3:2013 +A1:2020

Fabricante / *Manufacturer's*
address:

FM CALEFACCIÓN S.L.
CIF: B-14343594

Dirección / *Manufacturer's*
address:

CTRA. de Rute km.2.700, C.P.:14900, Lucena
Cordoba, Spain

Tipo de aparato / *Type of device:*

HORNO / OVEN

Marca / *Trade.:*

FM CALEFACCIÓN

Modelo / *Model no.:*

RX 604 PLUS

N/S: 21XXXXXXXXXX

Nosotros, los abajo firmantes, declaramos bajo nuestra exclusiva responsabilidad que el equipo especificado cumple con la(s) Directiva(s) y Norma(s) mencionadas

We, the undersigned, hereby declare under our sole responsibility that the specified equipment is in conformity with the above Directive(s) and Standard(s)

Lugar / *Place:* **Lucena**

Firma / *Signature:* **B-14343594**

Fecha / *Date:* **01/01/2021**



RX 604 PLUS



TECHNICAL CHARACTERISTICS		CONNECTIONS	
Net Weight (oven)		1	Electrical connection
Gross Weight (oven+packaging)		2	Hot gases outlet Ø30 mm
Supply voltage	400 Vac - Three Phase	3	Safety thermostat reset
Frequency	50/60 Hz	4	Safety distance ≥ 120 mm
Power cable	Hose 3F+N+T 4 mm ²		
Noise level	Below 70 dB		
Electric power	6300 W		
Thermal power	6000 W		

*Dimensions in mm

